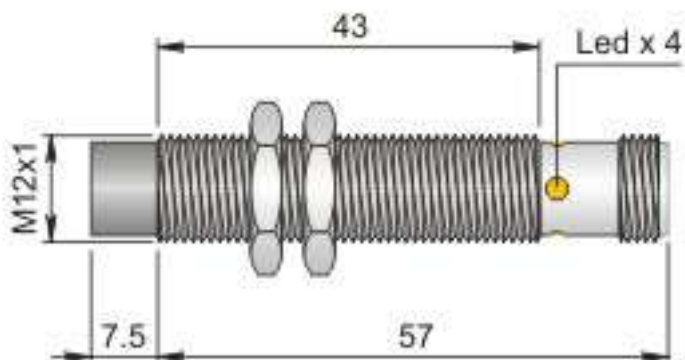




CODE: I12000566 DESCRIPTION: SI12-DCE8 PNP NO H



★
▲
KEY: ■ Standard switching distance ★ Extended switching distance ▲ Embeddable ● Not embeddable

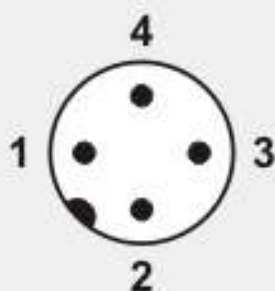
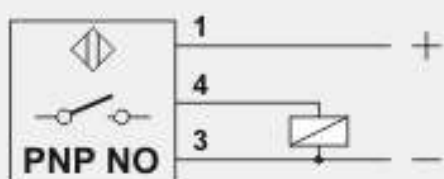
TECHNICAL CHARACTERISTICS

POWER SUPPLY :	DIRECT CURRENT
WORKING VOLTAGE :	10 ÷ 30 V
SWITCHING DISTANCE (S _n) :	8 mm
OUTPUT LOGIC :	PNP
OUTPUT TYPE :	NO
HYSTERESIS (% S _n) :	< 10%
MAX SWITCHING FREQUENCY :	600 Hz
REPEATABILITY (% S _n) :	<= 3
MAX OUTPUT CURRENT :	200 mA
ABSORPTION :	< 15 mA @ 24Vdc
VOLTAGE DROP :	< 1.8 V
SHORT CIRCUIT PROTECTION :	PRESENT
LED :	PRESENT
TEMPERATURE LIMITS :	-25 ÷ 85 °C
IP RATING :	DEPENDING ON CONNECTOR
HOUSING MATERIAL :	NICKELLED BRASS
MECHANICAL CHARACTERISTICS :	M12x1
CONNECTION TYPE :	H PLUG
WEIGHT :	40 g



CODE: I12000566 DESCRIPTION: SI12-DCE8 PNP NO H

CONNECTION WITH H PLUG

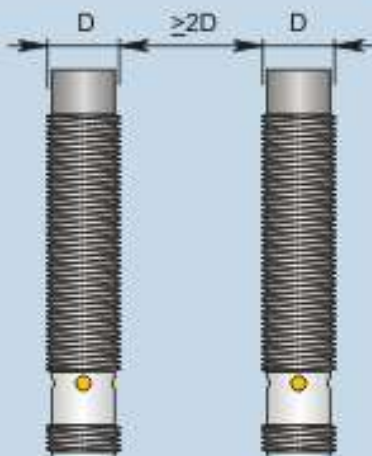


VIEW OF MALE CONNECTOR

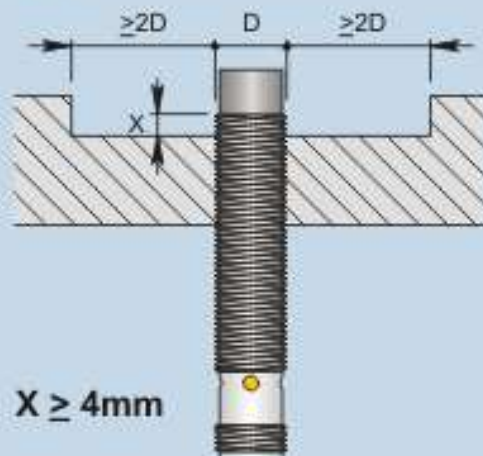
- 1 = Brown / +
- 3 = Blue / -
- 4 = Black / output NO

INSTRUCTIONS FOR CORRECT INSTALLATION

NOT EMBEDDABLE



Side by side mounting



Non flush mounting